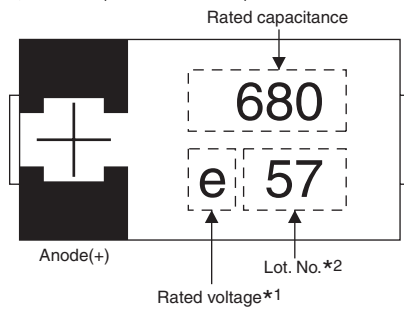
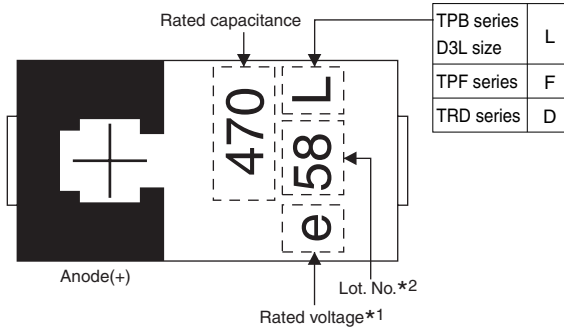


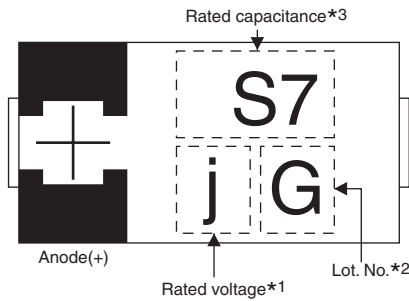
C, C1, D2, D3, D4 size (TPB, TPC, TH series)  
 C, D2, D3L size (TQC series)  
 D1, D2 size (APC, APD series)



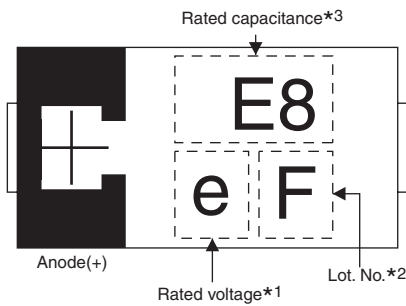
C2, C3, D2E, D3L size (TPB, TPE, TPF series)  
 D4, D4D size (TPD, TPE series)



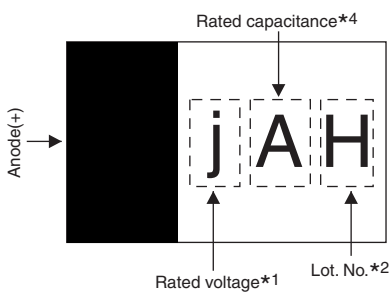
B09, B1, B1G, B15G, B2 size  
 (TPB, TPG, TPU, TQC series)



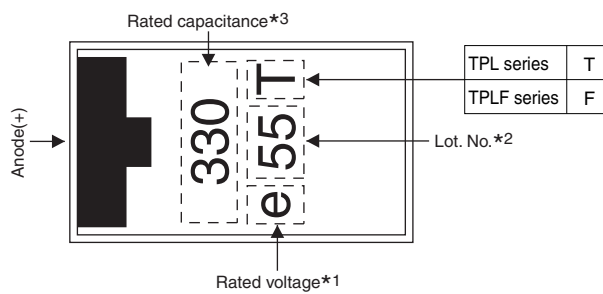
B2 size (TPE series)



S08, S11, A09 size (TPU series)



D2T size (TPL, TPLF series)



\*1 The rated voltage is as follows.

R.V.	2.0	2.5	3.15	4.0	6.3	8.0	10	12.5	16	25
Mark	d	e	f	g	j	K	A	B	C	1E(orE)

\*2 Lot.No.shows roughly manufacturing date.

\*3 The rated capacitance is as follows.

Capacitance(μF)	5.6	8.2	10	22	33	47	56	68	100	120	150	220	330
Mark	U6	Y6	A7	J7	N7	S7	U7	W7	A8	C8	E8	J8	N8

\*4 The rated capacitance is as follows.

R. Cap.(μF)	10	15	22	33	47	68	100
Mark	A	E	J	N	S	W	A