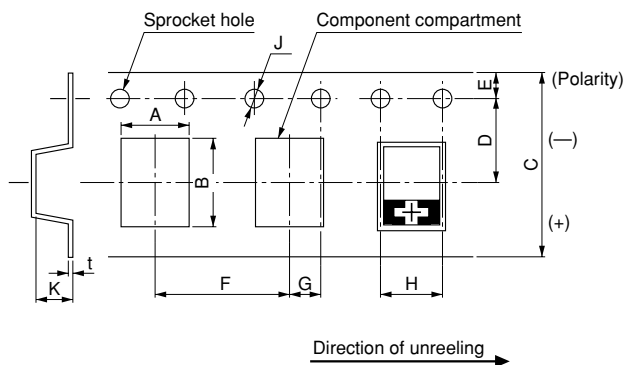


Packing specifications

POSCAP

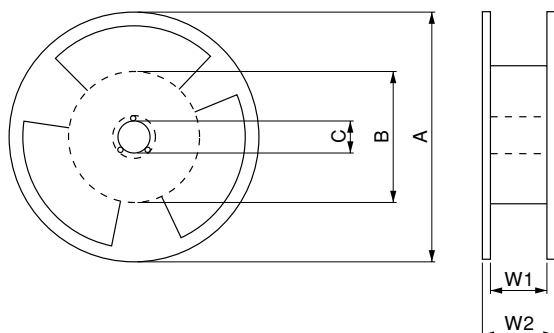
*We supply only embossed tapping type.

Dimension of carrier tape


(unit:mm)

Size code	A ± 0.1	B ± 0.1	C ± 0.3	D ± 0.1	E ± 0.1	F ± 0.1	G ± 0.1	H ± 0.1	J $^{+0.1}_{-0}$	K ± 0.2	t ± 0.1
S09	1.65	2.4	8.0	3.5	1.75	4.0	2.0	4.0	$\phi 1.5$	1.3	0.25
S11	1.65	2.4	8.0	3.5	1.75	4.0	2.0	4.0	$\phi 1.5$	1.3	0.25
A09	2.05	3.65	8.0	3.5	1.75	4.0	2.0	4.0	$\phi 1.5$	1.3	0.25
B09	3.2	3.8	8.0	3.5	1.75	4.0	2.0	4.0	$\phi 1.5$	1.4	0.2
B1	3.2	3.8	8.0	3.5	1.75	4.0	2.0	4.0	$\phi 1.5$	1.4	0.2
B1G	3.25	3.9	8.0	3.5	1.75	4.0	2.0	4.0	$\phi 1.5$	1.7	0.25
B15G	3.25	3.9	8.0	3.5	1.75	4.0	2.0	4.0	$\phi 1.5$	1.7	0.25
B2	3.3	3.8	8.0	3.5	1.75	4.0	2.0	4.0	$\phi 1.5$	2.1	0.2
B2S	3.25	4.0	8.0	3.5	1.75	4.0	2.0	4.0	$\phi 1.5$	2.1	0.25
C1	3.7	6.4	12.0	5.5	1.75	8.0	2.0	4.0	$\phi 1.5$	1.7	0.3
C2	3.7	6.4	12.0	5.5	1.75	8.0	2.0	4.0	$\phi 1.5$	2.1	0.3
C3	3.7	6.4	12.0	5.5	1.75	8.0	2.0	4.0	$\phi 1.5$	2.9	0.3
C	3.7	6.4	12.0	5.5	1.75	8.0	2.0	4.0	$\phi 1.5$	3.2	0.3
D2E	4.5	7.5	12.0	5.5	1.75	8.0	2.0	4.0	$\phi 1.5$	2.4	0.3
D2T	4.5	7.8	12.0	5.5	1.75	8.0	2.0	4.0	$\phi 1.5$	2.4	0.3
D15T	4.7	7.8	12.0	5.5	1.75	8.0	2.0	4.0	$\phi 1.5$	1.7	0.3
D12T	4.7	7.8	12.0	5.5	1.75	8.0	2.0	4.0	$\phi 1.5$	1.7	0.3
D2	4.5	7.5	12.0	5.5	1.75	8.0	2.0	4.0	$\phi 1.5$	2.4	0.3
D3L	4.5	7.7	12.0	5.5	1.75	8.0	2.0	4.0	$\phi 1.5$	3.2	0.3
D3	4.5	7.5	12.0	5.5	1.75	8.0	2.0	4.0	$\phi 1.5$	3.5	0.3
D4	4.5	7.7	12.0	5.5	1.75	8.0	2.0	4.0	$\phi 1.5$	4.2	0.3
D4D	4.5	7.7	12.0	5.5	1.75	8.0	2.0	4.0	$\phi 1.5$	4.2	0.3

- Dimension A and B are the measure of compartment's inside bottom.
- The (+) Polarity of the chip is placed on right side towards the unreeling direction.
- Dimension of the topcover tape
 Thickness of cover tape: $62 \pm 10 \mu\text{m}$
 Width of cover tape: $9.5 \pm 0.2\text{mm}$
 $5.5 \pm 0.2\text{mm}$ ($\phi 180\text{reel}$)

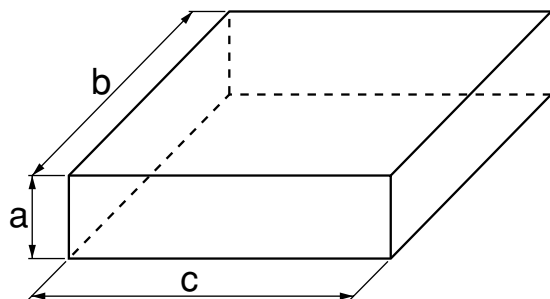
Reel dimension


(unit:mm)

A	B	C	W1	W2
$\phi 330 \pm 2$	$\phi 80 \pm 2$	$\phi 13 \pm 0.2$	13.5 ± 0.5	17.5 ± 1.0
$\phi 180 \begin{smallmatrix} +0 \\ -3 \end{smallmatrix}$	$\phi 60 \pm 2$	$\phi 13 \pm 0.2$	9 ± 0.5	11.4 ± 1.0

Packing quantities

Size code	Pieces/reel (ϕ 180)	Pieces/reel (ϕ 330)	Size code	Pieces/reel (ϕ 180)	Pieces/reel (ϕ 330)
S09	3,000	–	C3	–	2,500
S11	3,000	–	C	–	2,500
A09	3,000	–	D2E	–	3,000
B09	3,000	–	D2T	–	3,000
B1	3,000	–	D15T	–	4,000
B1G	2,500	–	D12T	–	4,000
B15G	2,500	–	D2	–	3,000
B2	2,000	–	D3L	–	2,500
B2S	2,000	–	D3	–	2,500
C1	–	4,000	D4	–	2,000
C2	–	3,000	D4D	–	2,000

Dimension of packing case


(unit:mm)		
Reel size	ϕ 180	ϕ 330
a	90	120
b	240	360
c	240	360

Units per packing case

Size code	Pieces/case	Size code	Pieces/case
S09	15,000	C3	12,500
S11	15,000	C	12,500
A09	15,000	D2E	15,000
B09	15,000	D2T	15,000
B1	15,000	D15T	20,000
B1G	12,500	D12T	20,000
B15G	12,500	D2	15,000
B2	10,000	D3L	12,500
B2S	10,000	D3	12,500
C1	20,000	D4	10,000
C2	15,000	D4D	10,000